

# HONOR

Sole Agent / Authorized Distributor

## HONOR PUMPS U.S.A.

1601 W. 25TH STREET, HOUSTON, TEXAS, 77008 U.S.A.  
TEL: 1-800-984 9727  
FAX: 1-713-461 9631  
E-mail: service@honorpumps.com  
http://www.honorpumps.com

## SOUTHERN FLUID POWER CANADA

100 FERNSTAFF COURT, UNIT 1, VAUGHAN, ONTARIO, L4K 3L9  
TEL: 905-760-5546  
FAX: 905-760-0685  
E-mail: larry@southernfluidpower.net  
http://www.southernfluidpower.ca

## PT.TIARA ABADI NUSANTARA JAYA INDONESIA

JL.Raya Dupak 63 kav. E10, Surabaya, 60172 (Komplek Pertokoan Mutiara Dupak)  
TEL: 62-3153 52104  
FAX: 62-3153 52094  
E-mail: pt.tanj@gmail.com

## NINGBO HONOR INTERNATIONAL TRADING CO., LTD. CHINA

BLDG.4, NO.8 CHUANGYE 3 ROAD FREE TRADE WEST ZONE NINGBO.  
TEL: +86-574-8689 5161  
FAX: +86-574-8689 5163  
E-mail: honor2@jm-best.com  
http://www.honorpump-cn.com

## Headquarters / Factory

### HONOR GEAR PUMPS CORP. TAIWAN

NO.190, CHENG KUNG 3 ROAD, NAN KANG INDUSTRY PARK, NAN TOU CITY, 54066, TAIWAN.  
TEL: +886-49-225 0421  
FAX: +886-49-225 7894  
E-mail: service@honorpump.com.tw  
http://www.honorpump.com.tw



## Warranty Statement

HONOR Gear Pumps Corp. products are warranted for 12 months from date of shipment from HONOR Taiwan or our authorized sales agents worldwide, to be free from defects in material and workmanship under correct use, normal operating conditions, and proper application.

HONOR's obligation under this warranty is limited to repair or exchange, at Honor's option, of any HONOR product or part which proves to be defective as provided herein.

Warranty consideration will only be extended upon return of the product to HONOR or Honor's authorized sales agents, for inspection, and then only if authorization to return has been given prior to the return.

Warranty will not extend to product damaged by accident, abuse, misuse, or misapplication, nor to goods altered or repaired by other than HONOR.

High Pressure

# Gear Pumps & Motors



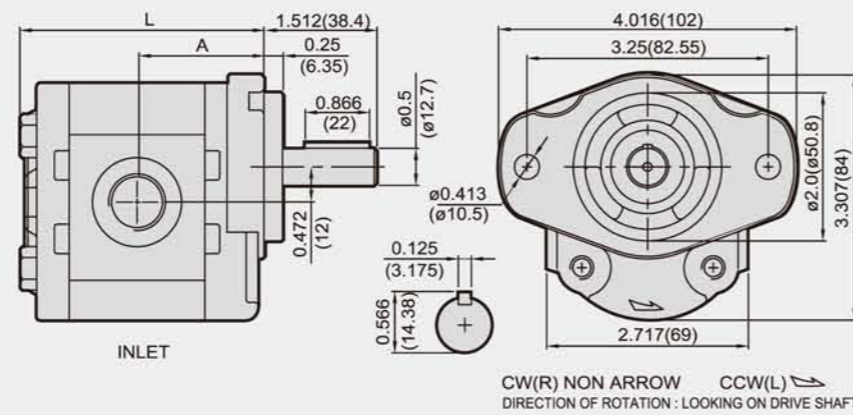
HR1401

# HONOR

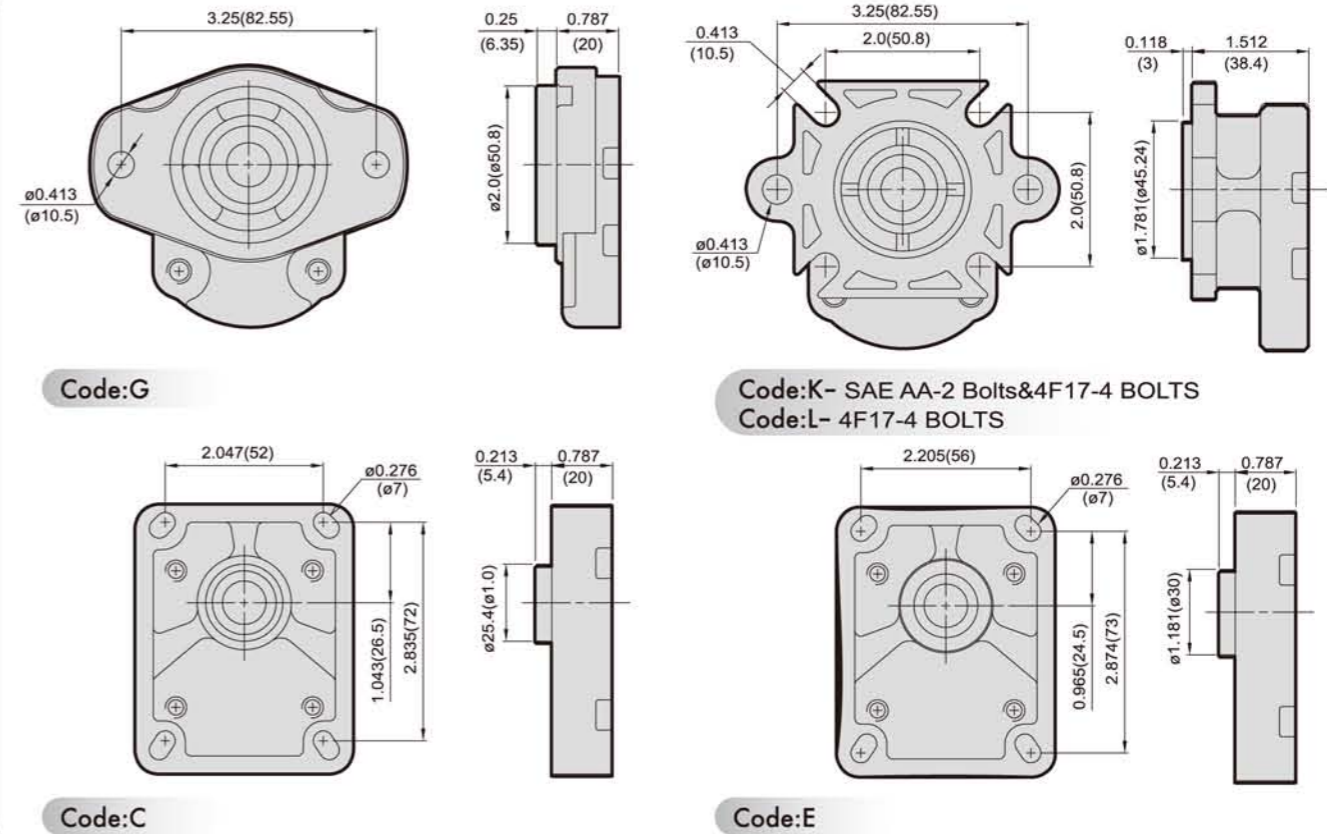
## 1A SERIES ALUMINUM METALS GEAR PUMPS



### OVERALL DIMENSIONS



### MOUNTING FLANGES



### ORDERING EXAMPLE:



If you need pump with displ.0.31 c.i.r and rotation is cw, the model number is : **1AG2U05R**

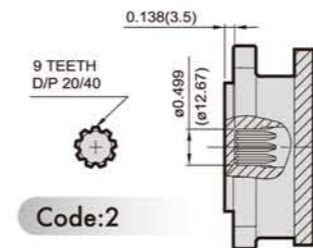
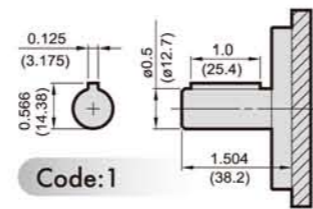
### PERFORMANCE DATA

MODEL	DISPLACEMENT		PRESSURE psi(MPa)		RPM RANGE	DIMENSIONS inch(mm) SUITABLE "G · C · E" MOUNTING FLANGES		WEIGHT	
	c.i.r	cm <sup>3</sup> /r	CONTINUOUS	MAX.		A	L	Kg	LBS
0S	0.04	0.6	3000(21)	3600(25)	600	1.626(41.3)	3.114(79.1)	1.09	2.40
01	0.08	1.3	3000(21)	3600(25)		1.655(42.0)	3.173(80.6)	1.10	2.42
02	0.12	2.0	3000(21)	3600(25)		1.694(43.0)	3.252(82.6)	1.14	2.51
27	0.16	2.7	3000(21)	3600(25)		1.734(44.0)	3.331(84.6)	1.18	2.60
35	0.21	3.4	3000(21)	3600(25)		1.773(45.0)	3.409(86.6)	1.21	2.66
04	0.25	4.1	3000(21)	3600(25)		1.813(46.0)	3.488(88.6)	1.25	2.75
05	0.31	5.1	3000(21)	3600(25)	4000	1.872(47.5)	3.606(91.6)	1.30	2.86
06	0.37	6.1	3000(21)	3600(25)		1.931(49.0)	3.724(94.6)	1.35	2.97
07	0.45	7.4	2850(20)	3300(23)		2.009(51.0)	3.882(98.6)	1.41	3.10
09	0.55	9.1	2550(18)	2850(20)		2.108(53.5)	4.079(103.6)	1.49	3.28
11	0.67	11.0	2300(16)	2550(18)		2.226(56.5)	4.315(109.6)	1.58	3.48
13	0.82	13.5	2300(16)	2550(18)		2.364(60.0)	4.591(116.6)	1.69	3.72

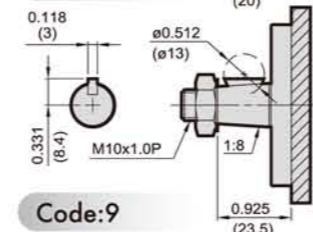
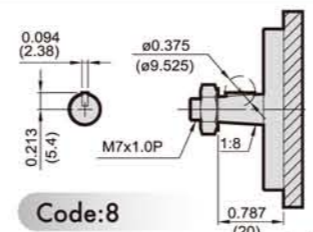
\*MORE THEN 2500 QUALIFIED PER APPLICATIONS.

### DRIVE SHAFTS

SUITABLE FOR **K L** FLANGE

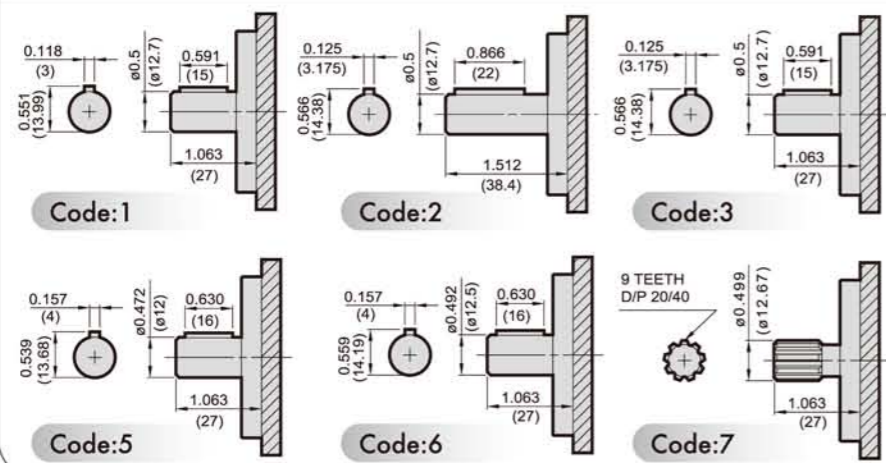


SUITABLE FOR **C E** FLANGE



### DRIVE SHAFTS

SUITABLE FOR **G** FLANGE



### PORTS

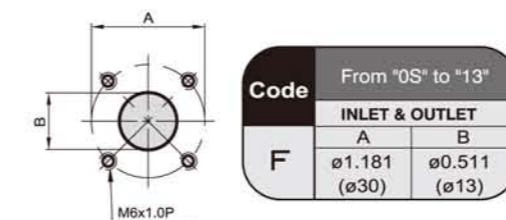
UNF

Code	From "0S" to "06"		From "07" to "13"	
	INLET	OUTLE	INLET	OUTLET
U	UNF# 8 3/4"-16	UNF# 6 9/16"-18	UNF# 10 7/8"-14	UNF# 8 3/4"-16

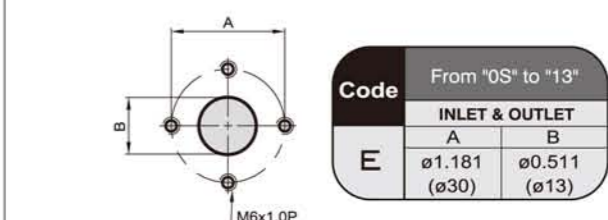
PT · NPT · BSPF

Code	From "0S" to "06"		From "07" to "13"	
	INLET	OUTLE	INLET	OUTLET
P	PT 1/2"	PT 3/8"	PT 3/4"	PT 1/2"
N	NPT 1/2"	NPT 3/8"	NPT 3/4"	NPT 1/2"
B	BSPF 1/2"	BSPF 3/8"	BSPF 3/4"	BSPF 1/2"

FLANGE (SQUARE)



FLANGE (DIAMOND)



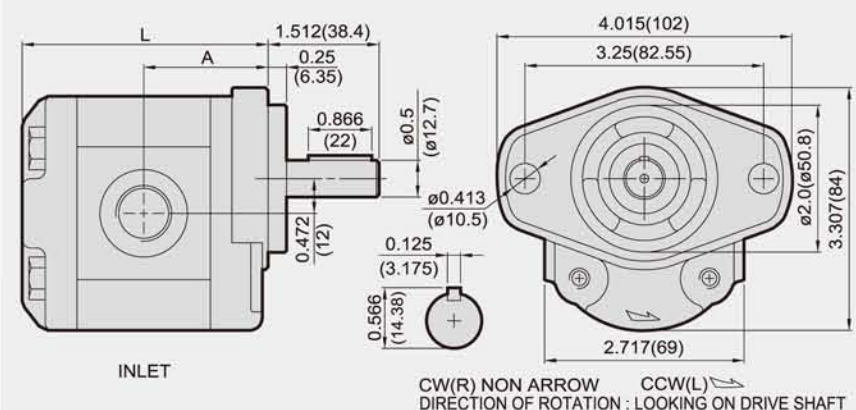
## 1G SERIES CAST IRON GEAR PUMPS

## 1M SERIES BI-DIRECTIONAL PUMPS / MOTORS

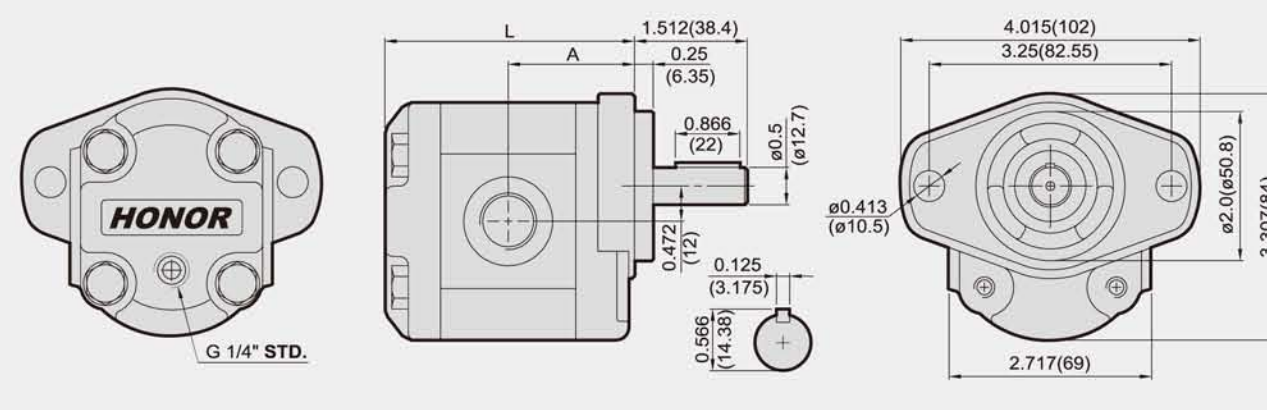


1G/1M SERIES

### OVERALL DIMENSIONS



### OVERALL DIMENSIONS



ORDERING EXAMPLE:



If you need pump with displ.0.31 c.i.r and rotation is cw, the model number is : **1GG2U05R**

ORDERING EXAMPLE:



If you need pump with displ.0.31 c.i.r , the model number is : **1MM2U05**

※ Please note when using bi-directional or one direction or motor the case drain should not be plugged.

### PERFORMANCE DATA

MODEL	DISPLACEMENT		PRESSURE psi(MPa)		RPM RANGE	DIMENSIONS inch (mm)		WEIGHT	
	c.i.r	cm <sup>3</sup> /r	CONTINUOUS	MAX.		A	L	Kg	LBS
01	0.08	1.3	3300(23)	3800(27)	600	1.655(42.0)	3.27(83.1)	1.75	3.85
02	0.12	2.0	3300(23)	3800(27)		1.694(43.0)	3.350(85.1)	1.79	3.94
27	0.16	2.7	3300(23)	3800(27)		1.734(44.0)	3.428(87.1)	1.83	4.03
35	0.21	3.4	3300(23)	3800(27)		1.773(45.0)	3.507(89.1)	1.86	4.09
04	0.25	4.1	3300(23)	3800(27)	4000	1.813(46.0)	3.586(91.1)	1.90	4.18
05	0.31	5.1	3300(23)	3800(27)		1.872(47.5)	3.704(94.1)	1.95	4.29
06	0.37	6.1	3300(23)	3800(27)		1.931(49.0)	3.822(97.1)	2.00	4.40
07	0.45	7.4	3100(22)	3500(25)		2.009(51.0)	3.980(101.1)	2.06	4.53
09	0.55	9.1	2850(20)	3100(22)	600 (*)2500	2.108(53.5)	4.176(106.1)	2.14	4.71
11	0.67	11.0	2550(18)	2850(20)		2.226(56.5)	4.412(112.1)	2.23	4.91
13	0.82	13.5	2550(18)	2850(20)		2.364(60.0)	4.688(119.1)	2.34	5.15

\*MORE THEN 2500 QUALIFIED PER APPLICATIONS.

### PORTS

Code	From "01" to "06"		From "07" to "13"	
	INLET	OUTLET	INLET	OUTLET
U	UNF#8 3/4"-16	UNF#6 9/16"-18	UNF#10 7/8"-14	UNF#8 3/4"-16
P	PT 1/2"	PT 3/8"	PT 3/4"	PT 1/2"
N	NPT 1/2"	NPT 3/8"	NPT 3/4"	NPT 1/2"
B	BSPF 1/2"	BSPF 3/8"	BSPF 3/4"	BSPF 1/2"

### PERFORMANCE DATA

MODEL	DISPLACEMENT		PRESSURE psi(MPa)		RPM RANGE	DIMENSIONS inch (mm)		WEIGHT	
	c.i.r	cm <sup>3</sup> /r	CONTINUOUS	MAX.		A	L	Kg	LBS
01	0.08	1.3	3300(23)	3800(27)	600	1.655(42.0)	3.27(83.1)	1.75	3.85
02	0.12	2.0	3300(23)	3800(27)		1.694(43.0)	3.350(85.1)	1.79	3.94
27	0.16	2.7	3300(23)	3800(27)		1.734(44.0)	3.428(87.1)	1.83	4.03
35	0.21	3.4	3300(23)	3800(27)		1.773(45.0)	3.507(89.1)	1.86	4.09
04	0.25	4.1	3300(23)	3800(27)	4000	1.813(46.0)	3.586(91.1)	1.90	4.18
05	0.31	5.1	3300(23)	3800(27)		1.872(47.5)	3.704(94.1)	1.95	4.29
06	0.37	6.1	3300(23)	3800(27)		1.931(49.0)	3.822(97.1)	2.00	4.40
07	0.45	7.4	3100(22)	3500(25)		2.009(51.0)	3.980(101.1)	2.06	4.53

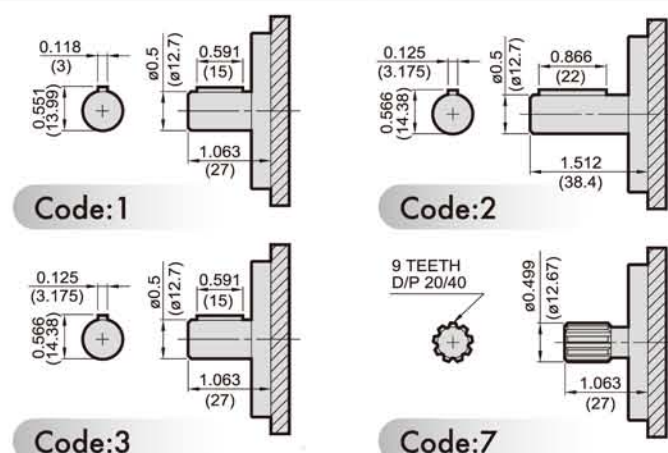
\*MORE THEN 2500 QUALIFIED PER APPLICATIONS.

### PORTS

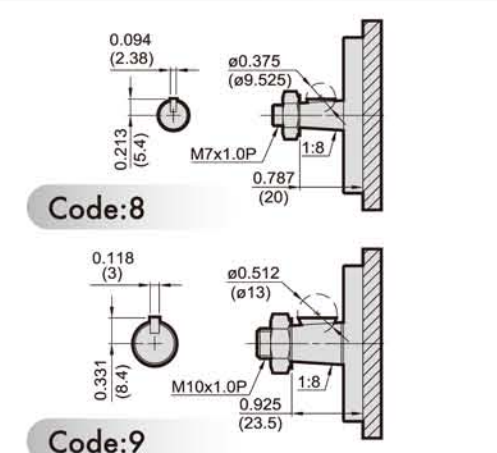
Code	From "01" to "06"		MODEL "07"	
	INLET & OUTLET	INLET & OUTLET	INLET & OUTLET	INLET & OUTLET
U	UNF#8 3/4"-16	UNF#8 3/4"-16	UNF# 10 7/8"-14	UNF# 10 7/8"-14
P	PT 1/2"	PT 1/2"	PT 3/4"	PT 3/4"
N	NPT 1/2"	NPT 1/2"	NPT 3/4"	NPT 3/4"
B	BSPF 1/2"	BSPF 1/2"	BSPF 3/4"	BSPF 3/4"

### DRIVE SHAFTS

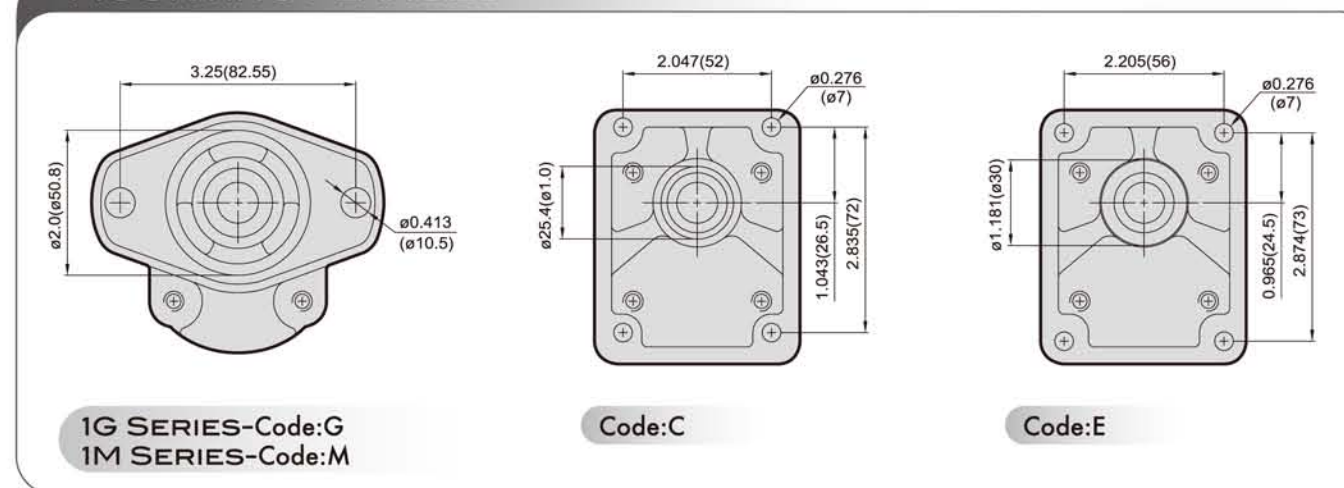
#### SUITABLE FOR GM FLANGE



#### SUITABLE FOR CE FLANGE



### MOUNTING FLANGES



## 1D/1T SERIES CAST IRON MULTIPLE PUMPS



ORDERING EXAMPLE:

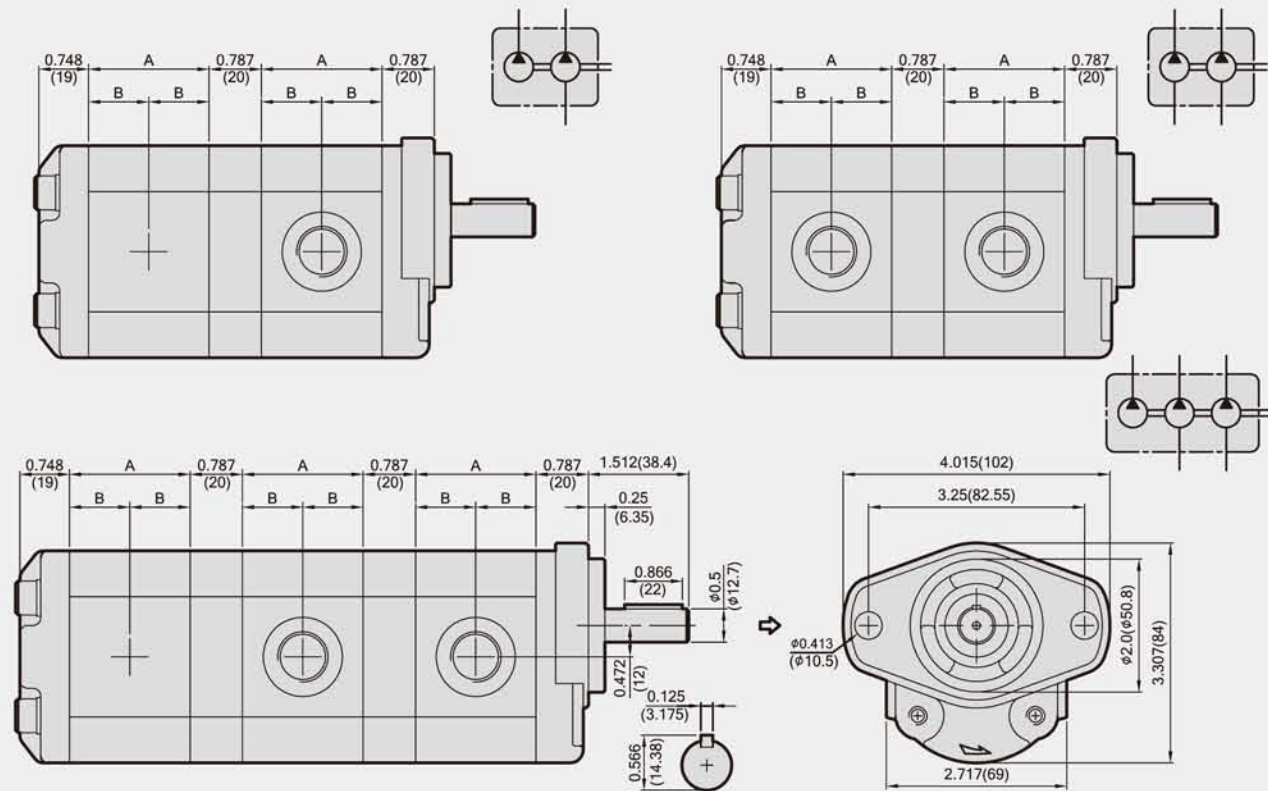
<b>1</b>	<b>□</b>	<b>G</b>	<b>2</b>	<b>B</b>	<b>U</b>	<b>□</b>	<b>□</b>	<b>□</b>	<b>R</b>
SERIES	TYPE	MOUNTING FLANGE	DRIVE SHAFT	INLET/OUTLET CODE	PORT	DISPLACEMENT			R: CW L: CCW

D: Double Pumps  
T: Multiple Pumps

A: Common Inlet (Double Pump only)  
B: Separate Inlet  
C: Triple Pump 2 Suction

If you need multiple pumps with front pump displ. 0.37 c.i.r \ center pump 0.25 c.i.r \ rear pump 0.12 c.i.r and rotation is cw \ the model number is : **1TG2BU060402R**

### OVERALL DIMENSIONS

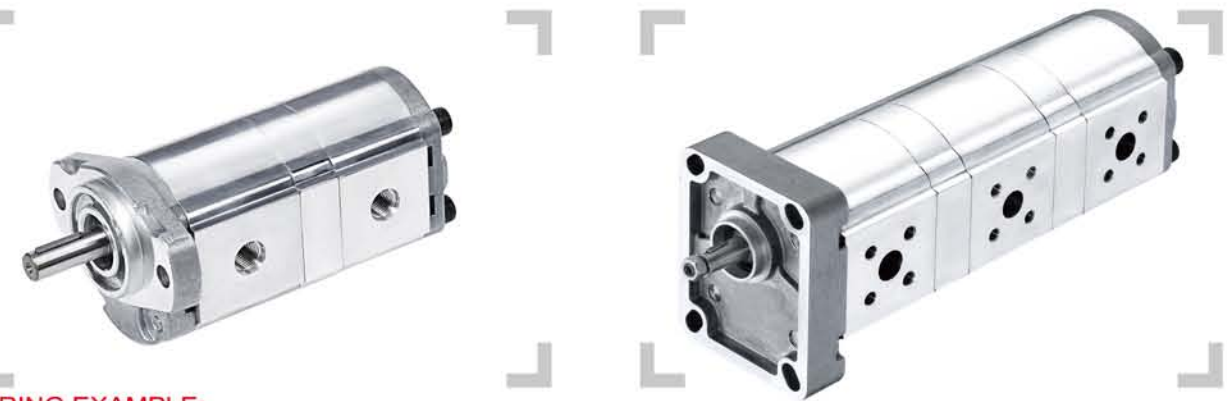


(\* ANY REQUIREMENT FOR MOUNTING FLANGE / DRIVE SHAFT / IN & OUT PORTS, PLEASE REFER TO 1G SERIES SPECIFICATIONS

CW(R) NON ARROW CCW(L) \ DIRECTION OF ROTATION : LOOKING ON DRIVE SHAFT

MODEL	01	02	27	35	04	05	06	07	09	11
c.i.r	0.08	0.12	0.16	0.21	0.25	0.31	0.37	0.45	0.55	0.67
cm <sup>3</sup> /r	1.3	2.0	2.7	3.4	4.1	5.1	6.1	7.4	9.1	11.0
<b>A</b>	1.732(44)	1.811(46)	1.890(48)	1.969(50)	2.047(52)	2.165(55)	2.283(58)	2.441(62)	2.638(67)	2.874(73)
<b>B</b>	0.866(22)	0.906(23)	0.945(24)	0.984(25)	1.024(26)	1.083(27.5)	1.142(29)	1.220(31)	1.319(33.5)	1.437(36.5)

## 1D/1T SERIES ALUMINUM METALS MULTIPLE PUMPS



ORDERING EXAMPLE:

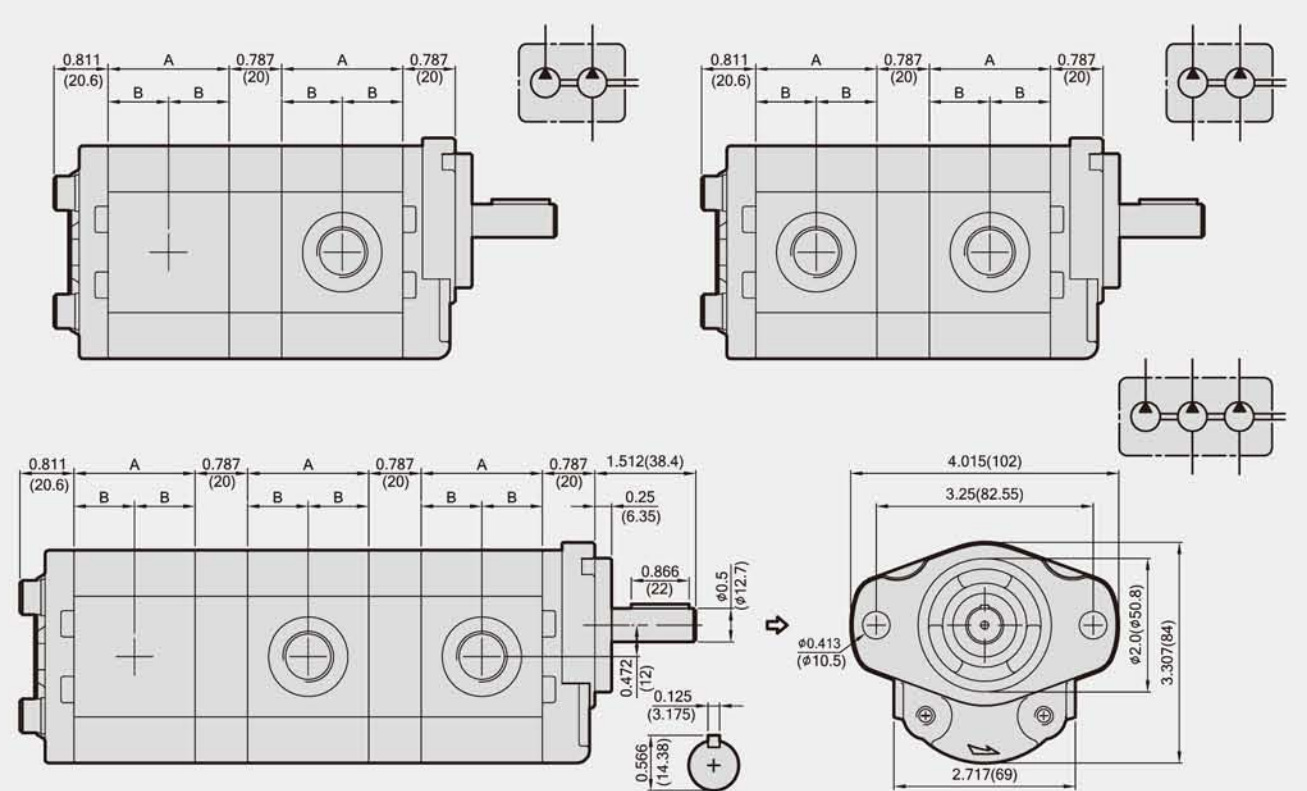
<b>1</b>	<b>□</b>	<b>G</b>	<b>2</b>	<b>B</b>	<b>U</b>	<b>□</b>	<b>□</b>	<b>□</b>	<b>R</b>
SERIES	TYPE	MOUNTING FLANGE	DRIVE SHAFT	INLET/OUTLET CODE	PORT	DISPLACEMENT			R: CW L: CCW

D: Double Pumps  
T: Multiple Pumps

A: Common Inlet (Double Pump only)  
B: Separate Inlet  
C: Triple Pump 2 Suction

If you need double pumps with front pump displ. 0.37 c.i.r \ rear pump 0.25 c.i.r and rotation is cw \ the model number is : **1DG2BU0604R**

### OVERALL DIMENSIONS



(\* ANY REQUIREMENT FOR MOUNTING FLANGE / DRIVE SHAFT / IN & OUT PORTS, PLEASE REFER TO 1A SERIES SPECIFICATIONS

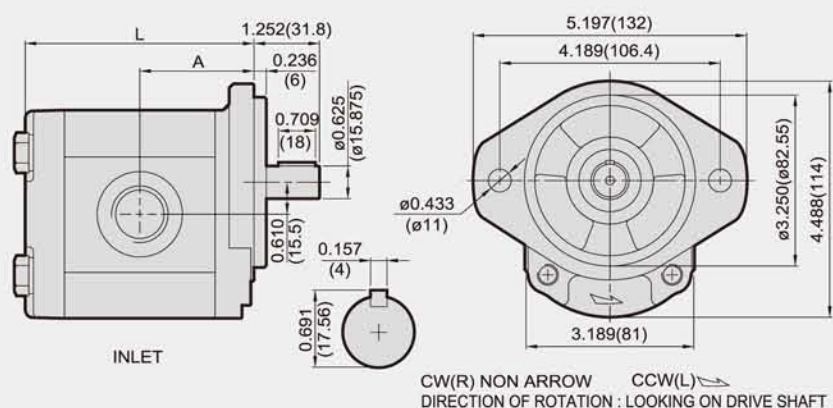
CW(R) NON ARROW CCW(L) \ DIRECTION OF ROTATION : LOOKING ON DRIVE SHAFT

MODEL	01	02	27	35	04	05	06	07	09	11
c.i.r	0.08	0.12	0.16	0.21	0.25	0.31	0.37	0.45	0.55	0.67
cm <sup>3</sup> /r	1.3	2.0	2.7	3.4	4.1	5.1	6.1	7.4	9.1	11.0
<b>A</b>	1.732(44)	1.811(46)	1.890(48)	1.969(50)	2.047(52)	2.165(55)	2.283(58)	2.441(62)	2.638(67)	2.874(73)
<b>B</b>	0.866(22)	0.906(23)	0.945(24)	0.984(25)	1.024(26)	1.083(27.5)	1.142(29)	1.220(31)	1.319(33.5)	1.437(36.5)

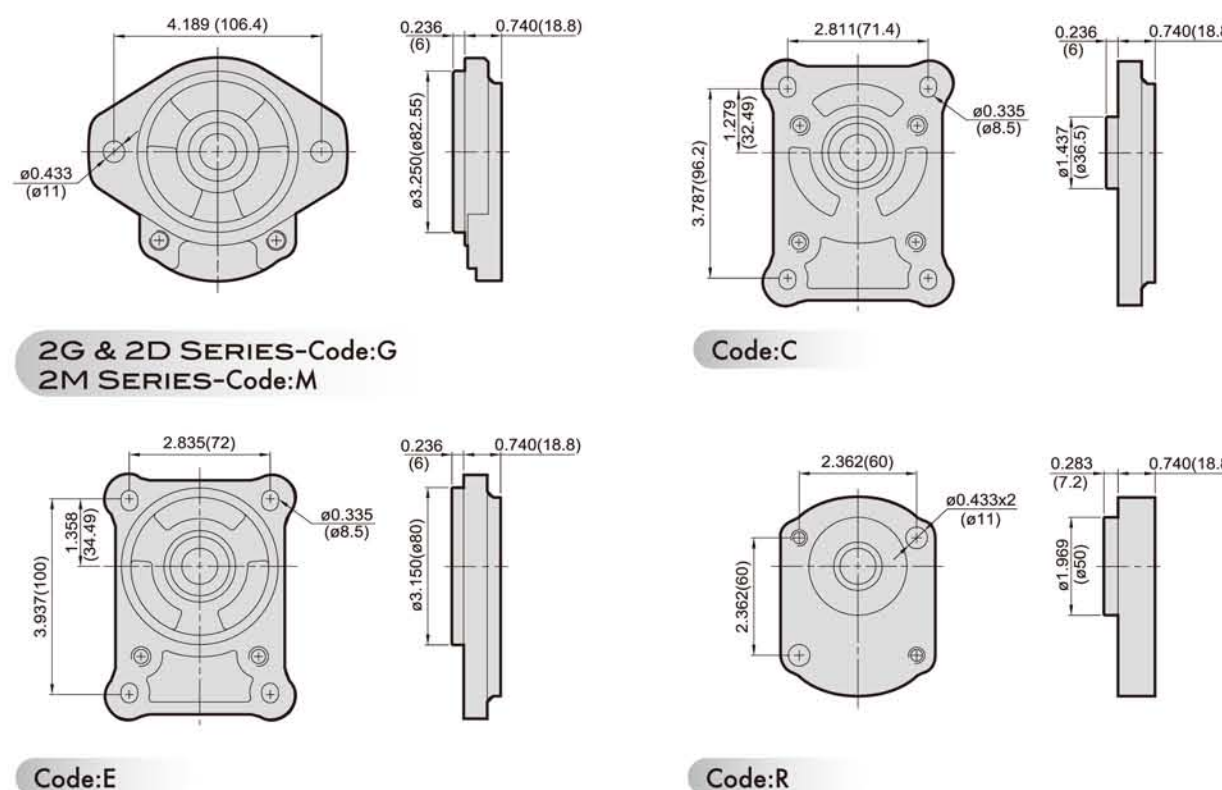
## 2G SERIES GEAR PUMPS



### OVERALL DIMENSIONS



### MOUNTING FLANGES



### ORDERING EXAMPLE:



If you need pump with displ.0.98 c.i.r and rotation is cw, the model number is : **2GG1U16R**

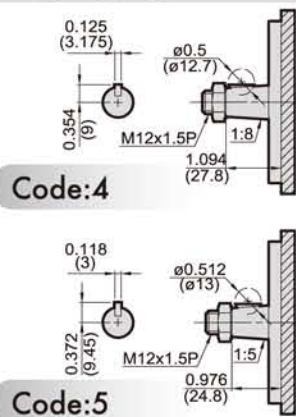
### PERFORMANCE DATA

MODEL	DISPLACEMENT		PRESSURE psi(MPa)		RPM RANGE	DIMENSIONS inch (mm)		WEIGHT	
	c.i.r	cm <sup>3</sup> /r	CONTINUOUS	MAX.		A	L	Kg	LBS
04	0.24	4.0	3500(25)	4200(30)	600 4000	1.658(42.1)	3.433(87.2)	3.23	7.11
05	0.30	5.0	3500(25)	4200(30)		1.687(42.9)	3.493(88.7)	3.27	7.19
06	0.38	6.2	3500(25)	4200(30)		1.717(43.6)	3.552(90.2)	3.32	7.30
07	0.43	7.0	3500(25)	4200(30)		1.746(44.4)	3.611(91.7)	3.36	7.39
08	0.52	8.4	3500(25)	4200(30)		1.796(45.6)	3.709(94.2)	3.41	7.50
09	0.58	9.5	3500(25)	4200(30)		1.825(46.4)	3.768(95.7)	3.45	7.59
11	0.69	11.3	3500(25)	4200(30)		1.884(47.9)	3.886(98.7)	3.53	7.77
14	0.85	14.0	3500(25)	4200(30)		1.963(49.9)	4.044(102.7)	3.64	8.01
16	0.98	16.0	3500(25)	4200(30)		2.002(51.4)	4.162(105.7)	3.74	8.23
18	1.10	18.0	3500(25)	4200(30)		2.081(52.9)	4.280(108.7)	3.80	8.36
20	1.20	19.5	3300(23)	3800(27)	2.160(54.9)	4.437(112.7)	3.89	8.56	
22	1.31	21.5	3000(21)	3500(25)	2.180(55.4)	4.477(113.7)	3.96	8.71	
24	1.44	23.5	2550(18)	3100(22)	2.258(57.4)	4.634(117.7)	4.01	8.82	
26	1.53	25.0	2550(18)	3100(22)	2.317(58.9)	4.752(120.7)	4.10	9.02	
28	1.71	28.0	2300(16)	2700(19)	2.396(60.9)	4.910(124.7)	4.19	9.22	
30	1.84	30.0	2100(15)	2550(18)	2.475(62.9)	5.067(128.7)	4.30	9.46	
33	2.02	33.0	2000(14)	2300(16)	2.554(64.9)	5.225(132.7)	4.41	9.70	

\*MORE THEN 2500 QUALIFIED PER APPLICATIONS.

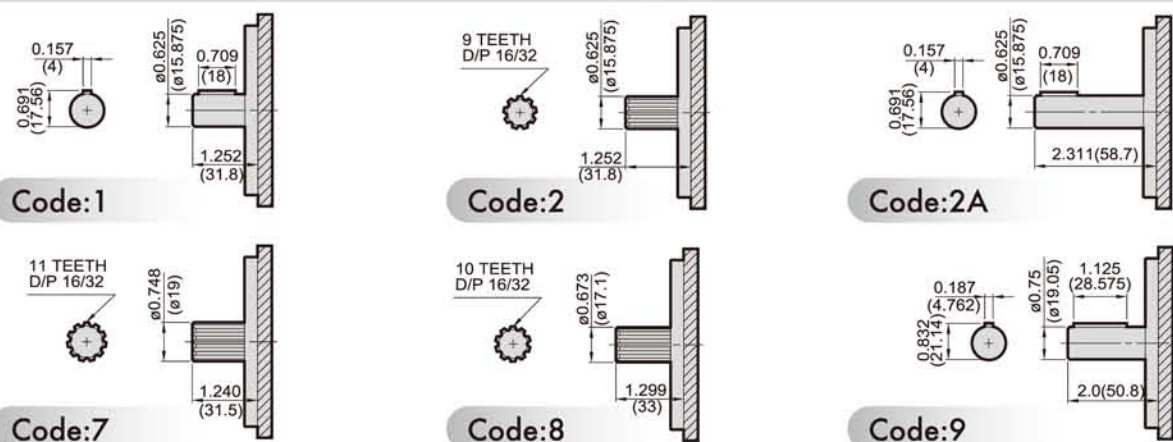
### DRIVE SHAFTS

#### SUITABLE FOR CER FLANGE



### DRIVE SHAFTS

#### SUITABLE FOR G FLANGE



### PORTS

#### UNF

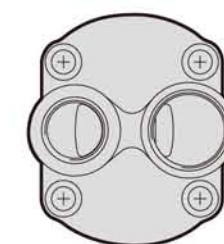
Code	From "04" to "22"		From "24" to "33"	
	INLET	OUTLE	INLET	OUTLET
U	UNF# 12 1-1/16"-12	UNF# 10 7/8"-14	UNF# 16 1-5/16"-12	UNF# 12 1-1/16"-12

#### PT · NPT · BSPF

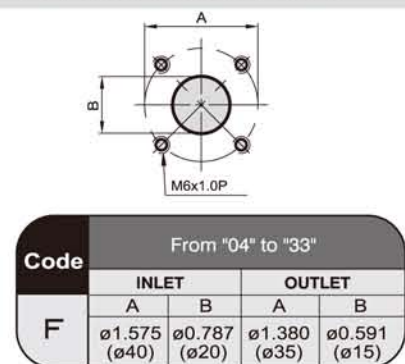
Code	From "04" to "22"		From "24" to "33"	
	INLET	OUTLE	INLET	OUTLET
P	PT 3/4"	PT 1/2"	PT 1"	PT 3/4"
N	NPT 3/4"	NPT 1/2"	NPT 1"	NPT 3/4"
B	BSPF 3/4"	BSPF 1/2"	BSPF 1"	BSPF 3/4"

#### REAR PORT

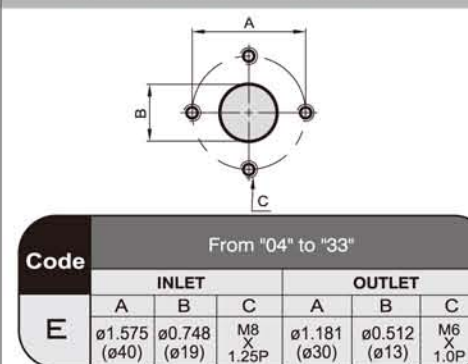
FOR "2G SERIES" ONLY



#### FLANGE (SQUARE)



#### FLANGE (DIAMOND)

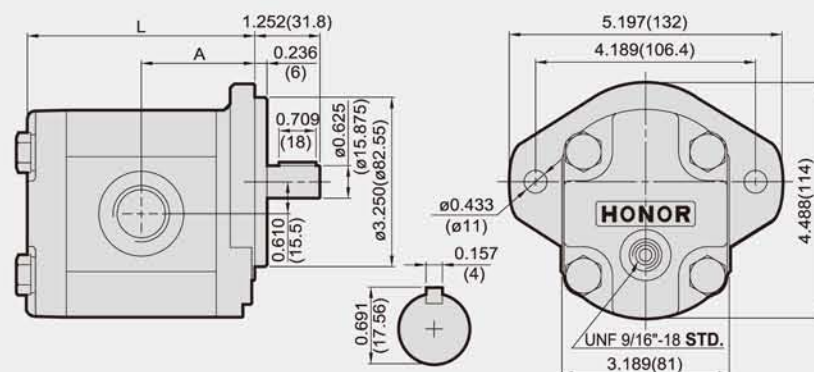


Code	From "04" to "33"	
	INLET	OUTLET
Z	UNF# 16 1-5/16"-12	UNF# 12 1-1/16"-12
Y	PT 1"	PT 3/4"

## 2M SERIES BI-DIRECTIONAL PUMPS / MOTORS



### OVERALL DIMENSIONS



ORDERING EXAMPLE:



If you need pump with displ. 0.98 c.i.r, the model number is : **2MM1U16**

※ Please note when using bi-directional or one direction or motor the case drain should not be plugged.

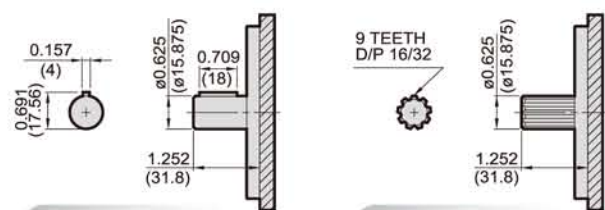
### PERFORMANCE DATA

MODEL	DISPLACEMENT		PRESSURE psi(MPa)		RPM RANGE	DIMENSIONS inch (mm)		WEIGHT		PORTS			
	c.i.r	cm <sup>3</sup> /r	CONTINUOUS	MAX.		A	L	Kg	LBS	INLET & OUTLET			
04	0.24	4.0	3500(25)	4200(30)	600	1.658(42.1)	3.433(87.2)	3.23	7.11	UNF# 12 1-1/16"-12	'P' PT 3/4"	FLANGE DIAMOND ø1.575(ø40)	FLANGE SQUARE ø1.575(ø40)
05	0.30	5.0	3500(25)	4200(30)		1.687(42.9)	3.493(88.7)	3.27	7.19				
06	0.38	6.2	3500(25)	4200(30)		1.717(43.6)	3.552(90.2)	3.32	7.30				
07	0.43	7.0	3500(25)	4200(30)		1.746(44.4)	3.611(91.7)	3.36	7.39				
08	0.52	8.4	3500(25)	4200(30)		1.796(45.6)	3.709(94.2)	3.41	7.50				
09	0.58	9.5	3500(25)	4200(30)		1.825(46.4)	3.768(95.7)	3.45	7.59				
11	0.69	11.3	3500(25)	4200(30)		1.884(47.9)	3.886(98.7)	3.53	7.77				
14	0.85	14.0	3500(25)	4200(30)		1.963(49.9)	4.044(102.7)	3.64	8.01				
16	0.98	16.0	3500(25)	4200(30)		2.002(51.4)	4.162(105.7)	3.74	8.23				
18	1.10	18.0	3500(25)	4200(30)		2.081(52.9)	4.280(108.7)	3.80	8.36				
20	1.20	19.5	3300(23)	3800(27)	2.160(54.9)	4.437(112.7)	3.89	8.56	UNF# 16 1-5/16"-12	'P' PT 1"	'B' BSPF 3/4"	x ø0.748(ø19)	x ø0.787(ø20)
22	1.31	21.5	3000(21)	3500(25)	2.180(55.4)	4.477(113.7)	3.96	8.71					
24	1.44	23.5	2550(18)	3100(22)	2.258(57.4)	4.634(117.7)	4.01	8.82					
26	1.53	25.0	2550(18)	3100(22)	2.317(58.9)	4.752(120.7)	4.10	9.02					
28	1.71	28.0	2300(16)	2700(19)	2.396(60.9)	4.910(124.7)	4.19	9.22					
30	1.84	30.0	2100(15)	2550(18)	2.475(62.9)	5.067(128.7)	4.30	9.46					
33	2.02	33.0	2000(14)	2300(16)	2.554(64.9)	5.225(132.7)	4.41	9.70					

\*MORE THAN 2500 QUALIFIED PER APPLICATIONS.

### DRIVE SHAFTS

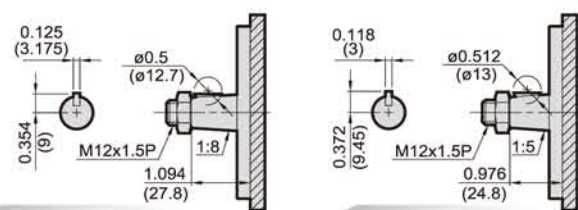
#### SUITABLE FOR M FLANGE



Code:1

Code:2

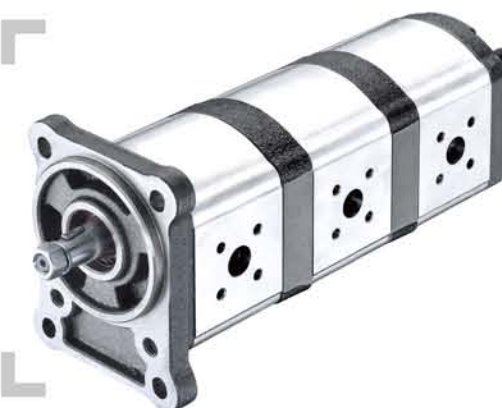
#### SUITABLE FOR CER FLANGE



Code:4

Code:5

## 2D/2T SERIES MULTIPLE PUMPS



ORDERING EXAMPLE:

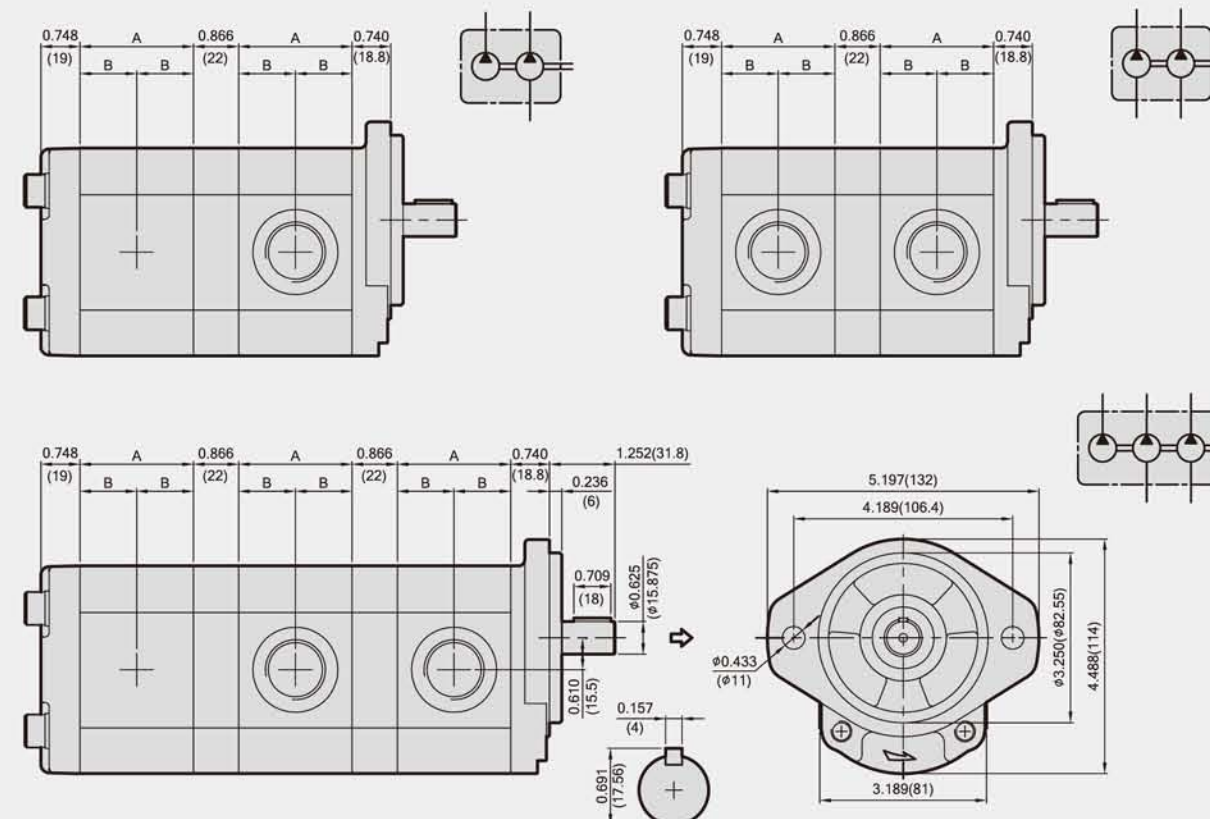


D: Double Pumps  
T: Multiple Pumps

A: Common Inlet (Double Pump only)  
B: Separate Inlet  
C: Triple Pump 2 Suction

If you need double pumps with front pump displ. 0.98 c.i.r > rear pump 0.58 c.i.r and rotation is cw, the model number is : **2DG1BU1609R**

### OVERALL DIMENSIONS



(\* ANY REQUIREMENT FOR MOUNTING FLANGE / DRIVE SHAFT / IN & OUT PORTS, PLEASE REFER TO 2G SERIES SPECIFICATIONS

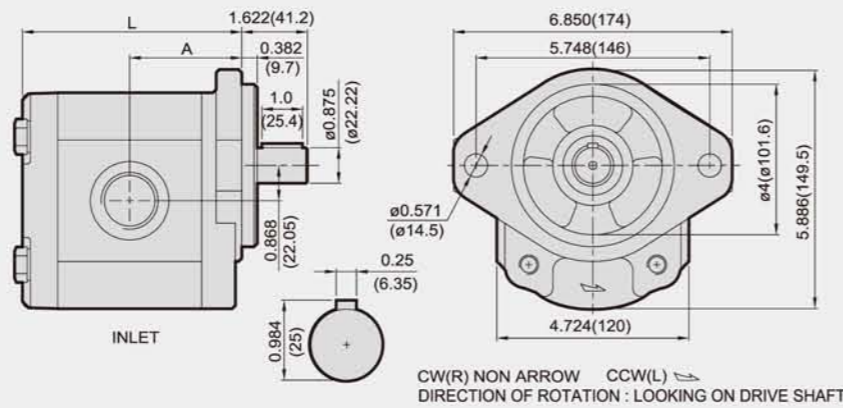
CW(R) NON ARROW CCW(L) →  
DIRECTION OF ROTATION : LOOKING ON DRIVE SHAFT

MODEL	05	06	07	08	09	11	14	16	18	20	22
c.i.r	0.30	0.38	0.43	0.52	0.58	0.69	0.85	0.98	1.10	1.20	1.31
cm <sup>3</sup> /r	5.0	6.2	7.0	8.4	9.5	11.3	14.0	16.0	18.0	19.5	21.5
A	1.890(48)	1.949(49.5)	2.008(51)	2.106(53.5)	2.165(55)	2.283(58)	2.441(62)	2.559(65)	2.677(68)	2.835(72)	2.874(73)
B	0.945(24)	0.976(24.8)	1.004(25.5)	1.055(26.8)	1.083(27.5)	1.142(29)	1.220(31)	1.280(32.5)	1.339(34)	1.417(36)	1.437(36.5)

## 3G SERIES GEAR PUMPS



### OVERALL DIMENSIONS



### ORDERING EXAMPLE:



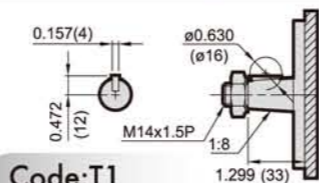
If you need pump with displ.2.01 c.i.r and rotation is cw, the model number is : **3GB6U133R**

### PERFORMANCE DATA

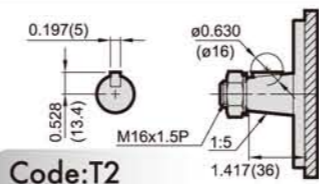
MODEL	DISPLACEMENT		PRESSURE psi(MPa)		RPM RANGE	DIMENSIONS inch(mm) SUITABLE "B" "C" "E" MOUNTING FLANGES		WEIGHT	
	c.i.r	cm <sup>3</sup> /r	CONTINUOUS	MAX.		A	L	Kg	LBS
18	1.10	18.0	3500(25)	3800(27)	3000	2.539(64.5)	4.961(126)	8.4	18.5
20	1.22	20.0	3500(25)	3800(27)	3000	2.559(65.0)	5.000(127)	8.5	18.7
23	1.40	23.0	3500(25)	3800(27)	3000	2.579(65.5)	5.039(128)	8.6	18.9
25	1.52	25.0	3500(25)	3800(27)	3000	2.618(66.5)	5.118(130)	8.7	19.1
28	1.70	28.0	3500(25)	3800(27)	3000	2.657(67.5)	5.197(132)	8.9	19.6
33	2.01	33.0	3500(25)	3800(27)	3000	2.736(69.5)	5.354(136)	9.1	20.0
38	2.31	38.0	3500(25)	3800(27)	3000	2.815(71.5)	5.512(140)	9.3	20.5
44	2.68	44.0	3100(22)	3400(24)	2500	2.894(73.5)	5.669(144)	9.5	20.9
52	3.17	52.0	2800(20)	3100(22)	2500	2.992(76.0)	5.866(149)	9.8	21.6
60	3.66	60.0	2600(18)	2800(20)	2500	3.110(79.0)	6.102(155)	10.0	22.0
70	4.27	70.0	2300(16)	2600(18)	2500	3.248(82.5)	6.378(162)	10.4	22.9
80	4.88	80.0	2100(15)	2400(17)	2300	3.346(85.0)	6.575(167)	10.7	23.5
90	5.49	90.0	2000(14)	2300(16)	2000	3.465(88.0)	6.811(173)	11.1	24.4

### DRIVE SHAFTS

#### SUITABLE FOR C FLANGE

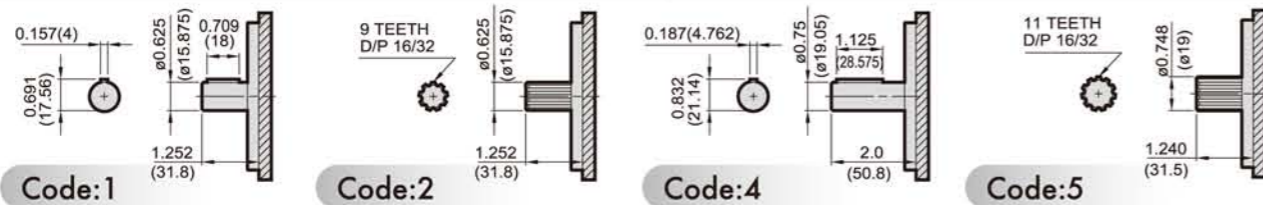


#### SUITABLE FOR E FLANGE

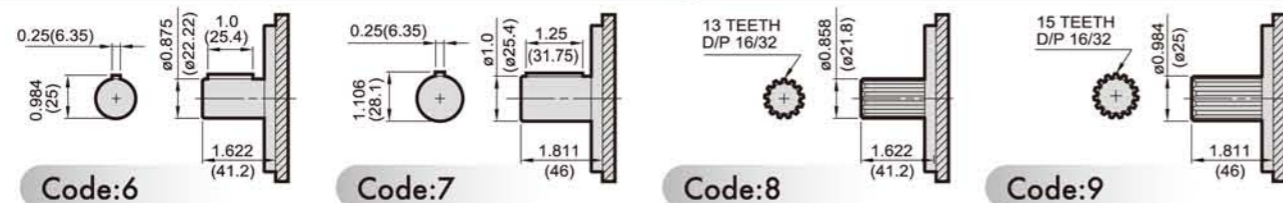


### DRIVE SHAFTS

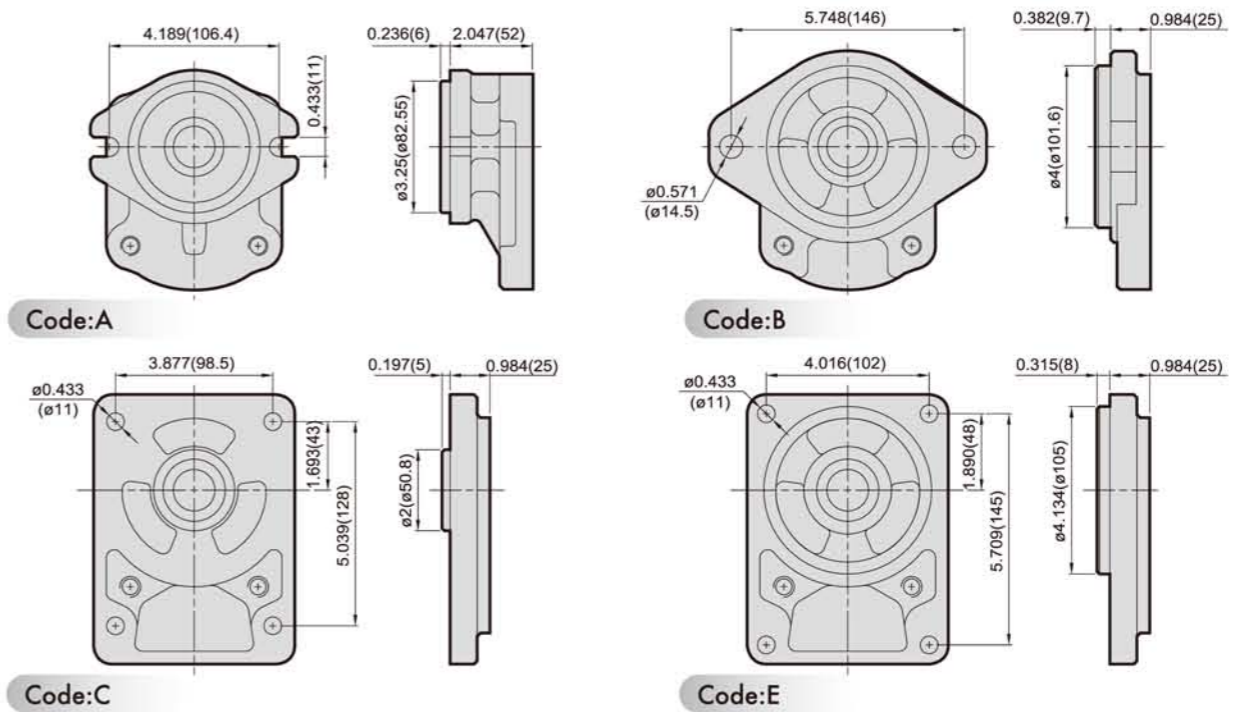
#### SUITABLE FOR A FLANGE



#### SUITABLE FOR B FLANGE

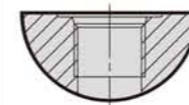


### MOUNTING FLANGES



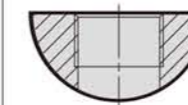
### PORTS

#### UNF



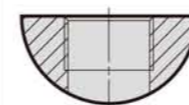
Code	INLET	OUTLET
U1	1-5/16-12 UNF# 16	1-1/16-12 UNF# 12
U2	1-5/8-12 UNF# 20	1-1/16-12 UNF# 12
U3	1-7/8-12 UNF# 24	1-5/16-12 UNF# 16

#### PT



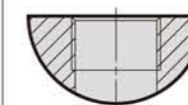
Code	INLET	OUTLET
P1	PT 1"	PT 3/4"
P2	PT 1-1/4"	PT 3/4"
P3	PT 1-1/2"	PT 1"

#### NPT



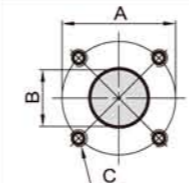
Code	INLET	OUTLET
N1	NPT 1"	NPT 3/4"
N2	NPT 1-1/4"	NPT 3/4"
N3	NPT 1-1/2"	NPT 1"

#### BSPF



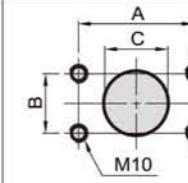
Code	INLET	OUTLET
B1	BSPF 1"	BSPF 3/4"
B2	BSPF 1-1/4"	BSPF 3/4"
B3	BSPF 1-1/2"	BSPF 1"

#### FLANGE (SQUARE)



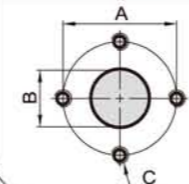
Code	PORT	A	B	C
F1	INLET	ø1.575(ø40)	ø0.787(ø20)	M6
F2	OUTLET	ø1.378(ø35)	ø0.591(ø15)	M6
F2	INLET	ø2.165(ø55)	ø1.063(ø27)	M8
F2	OUTLET	ø2.165(ø55)	ø0.748(ø19)	M8

#### FLANGE (RECTANGLE)



Code	PORT	A X B	C
F3	INLET	2.063(52.4)x1.031(26.2)	ø0.984(ø25)
F4	OUTLET	1.874(47.6)x0.874(22.2)	ø0.748(ø19)
F4	INLET	2.307(58.6)x1.189(30.2)	ø1.260(ø32)
F4	OUTLET	2.063(52.4)x1.031(26.2)	ø0.984(ø25)

#### FLANGE (DIAMOND)



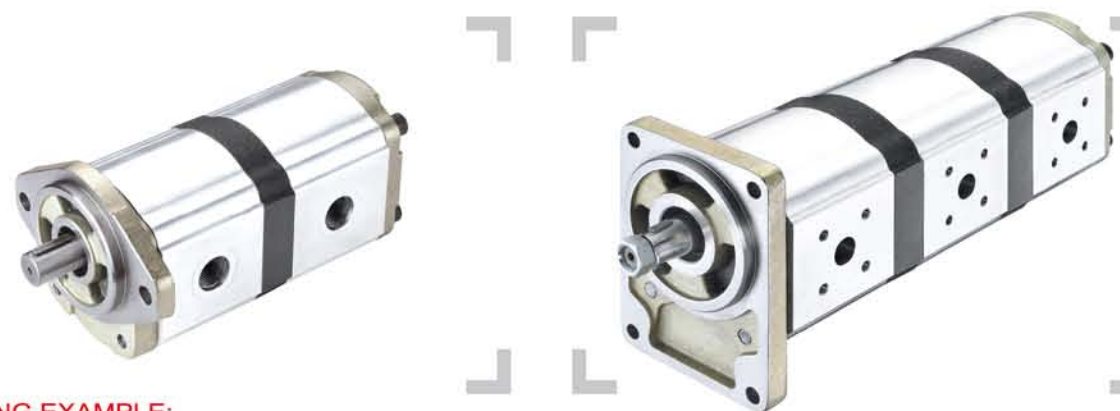
Code	PORT	A	B	C
F5	INLET	ø1.575(ø40)	ø0.748(ø19)	M8
F6	OUTLET	ø1.181(ø30)	ø0.512(ø13)	M6
F6	INLET	ø2.008(ø51)	ø1.063(ø27)	M10
F6	OUTLET	ø1.575(ø40)	ø0.748(ø19)	M8

#### REAR PORT



Code	INLET	OUTLET
ZU1	1-5/16-12 UNF# 16	1-1/16-12 UNF# 12
ZU2	1-5/8-12 UNF# 20	1-1/16-12 UNF# 12
ZU3	1-5/8-12 UNF# 20	1-5/16-12 UNF# 16

## 3D/3T SERIES MULTIPLE PUMPS



ORDERING EXAMPLE:

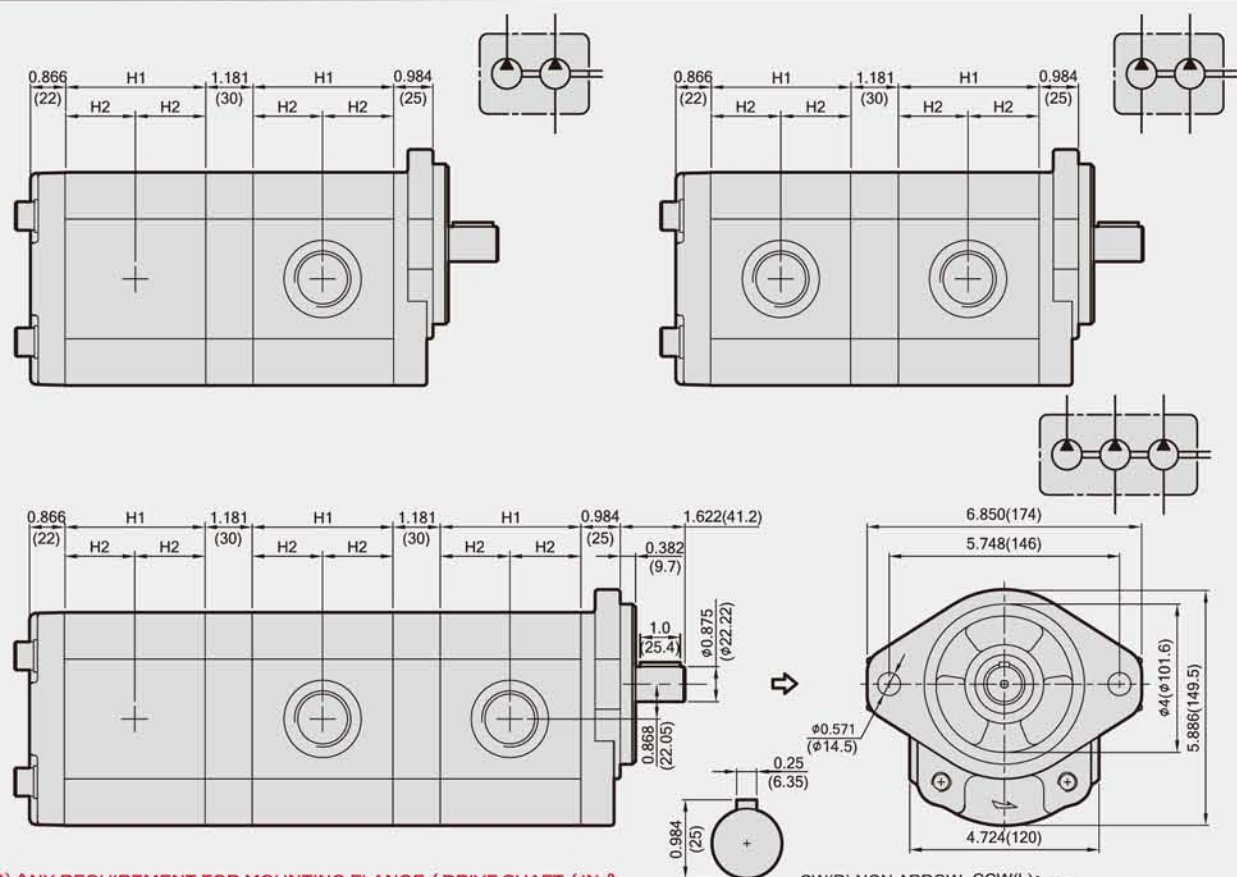
<b>3</b>	<b>□</b>	<b>B</b>	<b>6</b>	<b>B</b>	<b>U1U1U1</b>	<b>□</b>	<b>□</b>	<b>□</b>	<b>R</b>
SERIES	TYPE	MOUNTING FLANGE	DRIVE SHAFT	INLET/OUTLET CODE	PORT (Front/Center/Rear)	DISPLACEMENT			R: CW L: CCW

D: Double Pumps  
T: Multiple Pumps

A: Common Inlet (Double Pump only)  
B: Separate Inlet  
C: Triple Pump 2 Suction

If you need double pumps with front pump displ. 2.31 c.i.r \ rear pump 1.70 c.i.r and rotation is cw \ the model number is : **3DB6BU2U13828R**

### OVERALL DIMENSIONS



(\* ANY REQUIREMENT FOR MOUNTING FLANGE / DRIVE SHAFT / IN & OUT PORTS, PLEASE REFER TO 3G SERIES SPECIFICATIONS

CW(R) NON ARROW CCW(L) ↺  
DIRECTION OF ROTATION : LOOKING ON DRIVE SHAFT

### GROUP 3 PUMP

MODEL	18	20	23	25	28	33	38	44	52
c.i.r	1.10	1.22	1.40	1.52	1.70	2.01	2.31	2.68	3.17
cm <sup>3</sup> /r	18.0	20.0	23.0	25.0	28.0	33.0	38.0	44.0	52.0
H1	3.110(79)	3.150(80)	3.189(81)	3.268(83)	3.346(85)	3.504(89)	3.661(93)	3.819(97)	4.016(102)
H2	1.555(39.5)	1.575(40)	1.594(40.5)	1.634(41.5)	1.673(42.5)	1.752(44.5)	1.831(46.5)	1.909(48.5)	2.008(51)

## 32D/32T SERIES MULTIPLE PUMPS



ORDERING EXAMPLE:

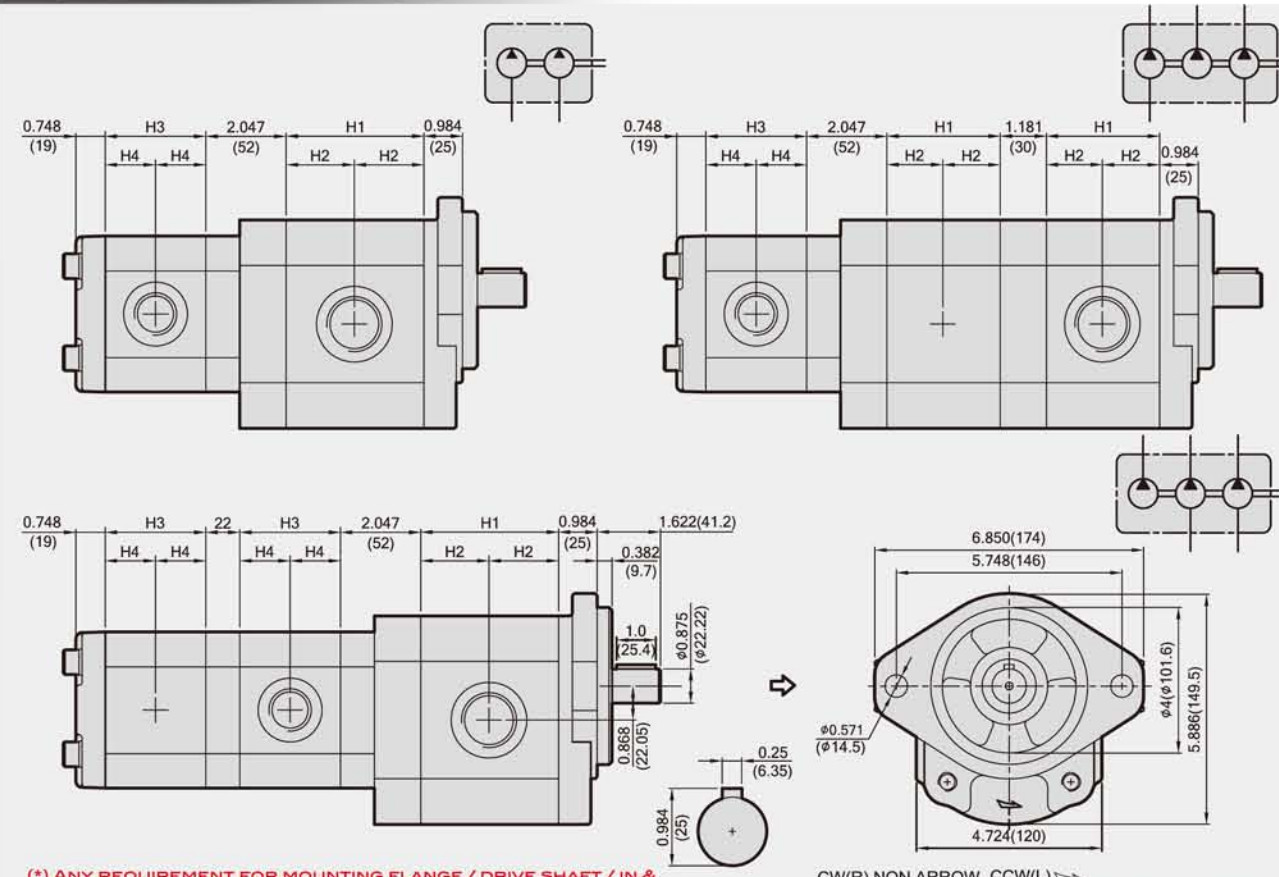
<b>32</b>	<b>□</b>	<b>B</b>	<b>6</b>	<b>B</b>	<b>U1U1</b>	<b>□</b>	<b>□</b>	<b>□</b>	<b>R</b>
SERIES	TYPE	MOUNTING FLANGE	DRIVE SHAFT	INLET/OUTLET CODE	PORT (Front/Center)	DISPLACEMENT			R: CW L: CCW

D: Double Pumps  
T: Multiple Pumps

B: Separate Inlet  
C: Triple Pump 2 Suction

If you need multiple pumps with front pump displ. 2.31 c.i.r \ center pump 1.70 c.i.r \ rear pump 0.85 c.i.r and rotation is cw \ the model number is : **32TB6BU2U1382814R**

### OVERALL DIMENSIONS



(\* ANY REQUIREMENT FOR MOUNTING FLANGE / DRIVE SHAFT / IN & OUT PORTS, PLEASE REFER TO 3G SERIES SPECIFICATIONS

CW(R) NON ARROW CCW(L) ↺  
DIRECTION OF ROTATION : LOOKING ON DRIVE SHAFT

### GROUP 2 REAR PUMP COMBINATION

MODEL	06	07	08	09	11	14	16	18	20	22
c.i.r	0.38	0.43	0.52	0.58	0.69	0.85	0.98	1.10	1.20	1.31
cm <sup>3</sup> /r	6.2	7.0	8.4	9.5	11.3	14.0	16.0	18.0	19.5	21.5
H3	1.949(49.5)	2.008(51)	2.106(53.5)	2.165(55)	2.283(58)	2.441(62)	2.559(65)	2.677(68)	2.835(72)	2.874(73)
H4	0.976(24.8)	1.004(25.5)	1.055(26.8)	1.083(27.5)	1.142(29)	1.220(31)	1.280(32.5)	1.339(34)	1.417(36)	1.437(36.5)